

FEML 3120

FLAME PROOF EMERGENCY FLUORESCENT LUMINAIRE



Mechanical Data

| | |
|---------------|---|
| Material | : Cast Aluminium LM6 |
| Weight | : 12.0 Kg |
| IP Protection | : IP 65 |
| Finish | : Anti corrosive Epoxy Powder Coated |
| Cable Entry | : 2 x (0.75" ET / 0.5" NPT / BSP / M20) |
| Glass | : Borosilicate Tube |
| Wire guard | : 5 mm Welded Steel Construction |
| Reflector | : Epoxy coated Aluminium Sheet |
| Suspension | : Wall Mounting |
| Gasket | : Neoprene |
| Hardware | : Stainless Steel (SS-304) |

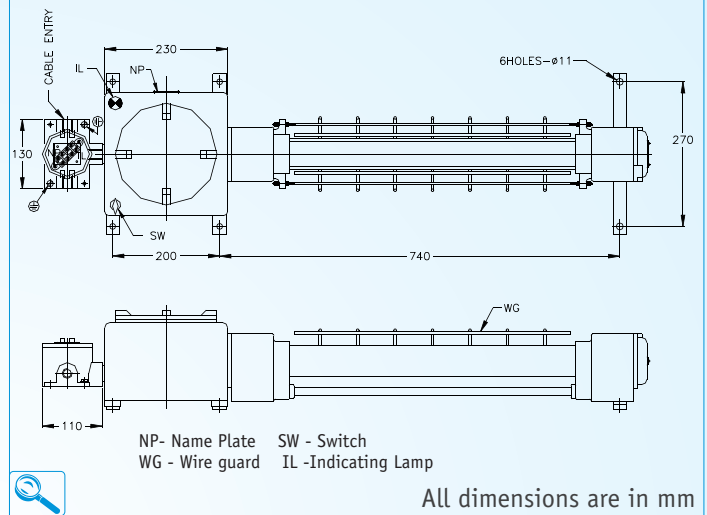
Electrical Data

| | |
|-----------------|--|
| Voltage | V : 230 V AC , 50 Hz |
| Lamp Wattage | W : 1 x 20 W FTL |
| Lamp Holder | : Special Design - Spring loaded Bipin |
| Wiring | : PVC insulated 1.5 sq.mm Stranded copper |
| Battery | : Standard 2 x 6 V, 4 Ah Sealed Lead Acid. Optionally Ni-Cd or Ni-MH can be used. |
| Transformer | : 18 - 0 -18 V , 1 A , 230 V for Charging |
| Max. Cable size | : 3C x 4 sq.mm |
| Terminations | : 4 way 4 sq.mm terminal block |
| Earthing | : External 2 Nos - M6 Internal 1 No - M5 |

Description

Explosion proof Emergency Light with separate terminal chamber. The main chamber houses the emergency kit comprising of batteries, transformer and encapsulated PCB. On the body a switch and a LED indications are provided. The borosilicate glass tube is cemented to its housing. Neoprene gaskets are provided for weather proof protection. Cable entries and terminals are provided in the terminal chamber for wiring through FLP cable glands.

GA Drawing



| | |
|----------------------|----------------------------------|
| Type of protection | Flame Proof - Exd |
| Area Classification | Zone 1 & 2 |
| Gas Groups | Group I, II A ,II B |
| Apparatus Standard | IS - 2148 / 81 & IS- 2206 Part I |
| CMRI Certificate No. | CMRI / TC / P / H85 |
| Approvals | CCE |
| Temp Rating | T6 |
| Wattage Rating | 1 x 20 W FTL |

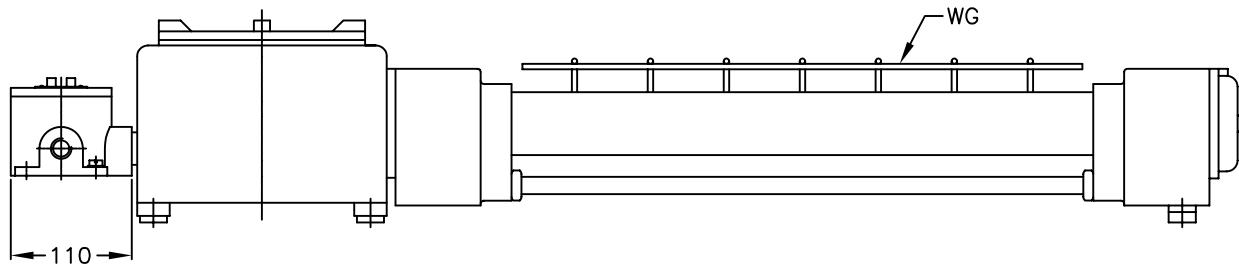
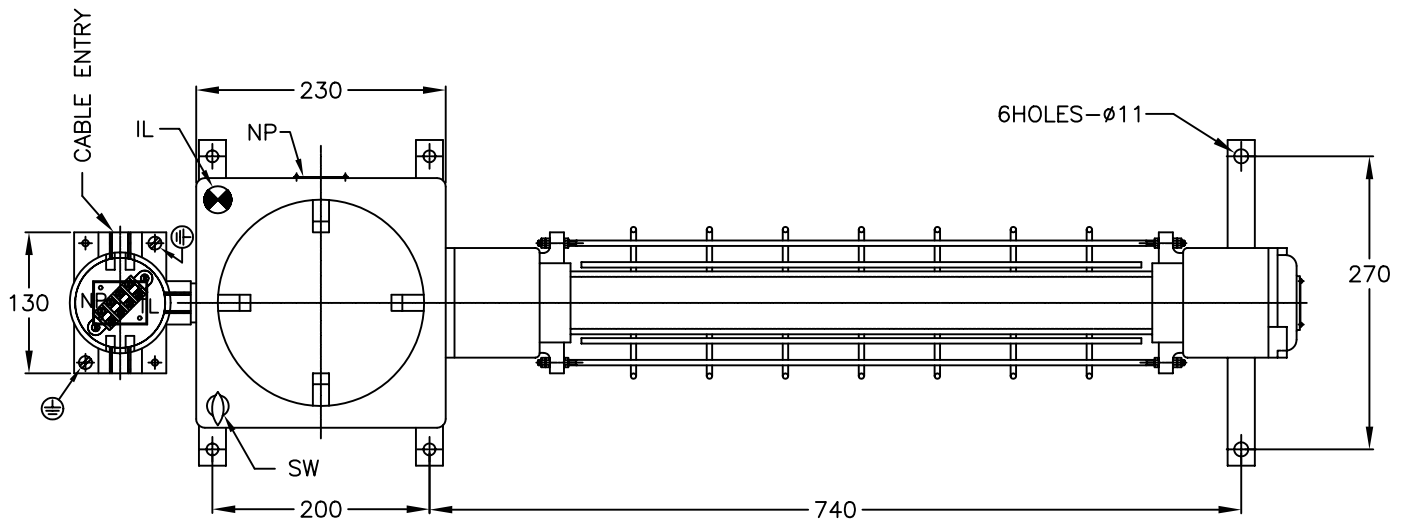
Salient Features

- 1 90 Minutes back up for single tube operation
45 Minutes backup for twin tube operation.
- 2 Trickle charge facility
- 3 Automatic charging and charge cut off operation with discharge cycle to secure the battery life longer.
- 4 When Battery charge reaches 90% of its desired voltage LED clusters will start flashing

CMRI Certificate is same for FEML 3140, FEML 3220 and FEML 3240. To view the certificate please refer FEML 3240 (Page No.8).

CMRI CERTIFIED

CERTIFICATES
CMRI | CCE | BIS



NOTES:

- SW - BATTERY ON/OFF SWITCH
- IL - LED INDICATION FOR BATTERY CHARGING AND CHARGE CUT OFF
- LAMP - 20W FLUORESCENT LAMP
- NP - NAME & WARNING PLATE (SS)
- WG - WIRE GUARD (M.S)
- TL - 4WAY TERMINAL BLOCK
- HARDWARES - SS304
- EARTHING - 2Nos. EXTERNAL & 1No. INTERNAL

ALL DIMENSIONS ARE IN MM.

FOR INFORMATION ONLY

| | | | | | | |
|---|--|----------------------|---|-----------------------|------------------|--------------|
| CABLE ENTRY: 1No. 0.75"ET | CUSTOMER : | | TITLE : FLP/WP EMERGENCY FLUORESCENT LIGHT FITTING | | | |
| | CONSULTANT : | | CAT NO : FEML-3120 | | | |
| | PROJECT : | | CLASSIFICATION : Ex-d IIB T6 IP 65 ZONE 1&2 | | | |
| | P.O No. : | | WT.: 12KGS. (APPROX.) | MATL.: LM-6 | ITEM No.: | QTY.: |
| | FINISH : EPOXY POWDER COATED (SHADE-631 OF IS:5) | | TOLERANCE : ±5mm SCALE : N.T.S | | | |
| CMRS : CMRI/TC/P/H85 DT:25.01.02 | | IS : 13947/93 | | NAME | DATE | |
| CCE : AWAITED | | IS : 2148/81 | | REV-1 | | |
| | | | | REV-2 | | |
| | | | | DRN. TSM | 05.06.04 | |
| | | | | CHKD. | | |
| | | | | APPD. | | |
| Baliga Lighting Equipments Private Limited KOVILAMBAKKAM, CHENNAI-600 117, INDIA. | | | | DRG. NO. | REV | |
| | | | | GFEML312001 | 0 | |
| | | | | SHEET 1 OF 1 | | |

